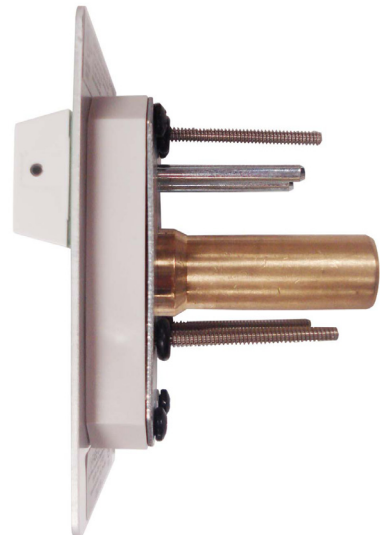


# specifications

- ▶ The Extended Latch-Valve Assembly shall accommodate a 3/4" to 1-1/4" wall thickness.
- ▶ A large color coded Front plate shall be used for ease of gas identification and aesthetic appeal.
- ▶ Extended Latch-Valve Assemblies are available for Ohmeda Compatible, DISS, Puritan-Bennet Compatible, Chemetron Compatible and Oxequip Compatible Outlets.
- ▶ All Extended Latch-Valve Assemblies shall be cleaned and degreased for medical gas service, factory assembled and tested.
- ▶ Flow rate exceeds the requirements of NFPA.
- ▶ Extended Latch-Valve Assemblies are UL Listed.
- ▶ Amico products comply with NFPA-99.



**FRONT**



**SIDE**

**project**

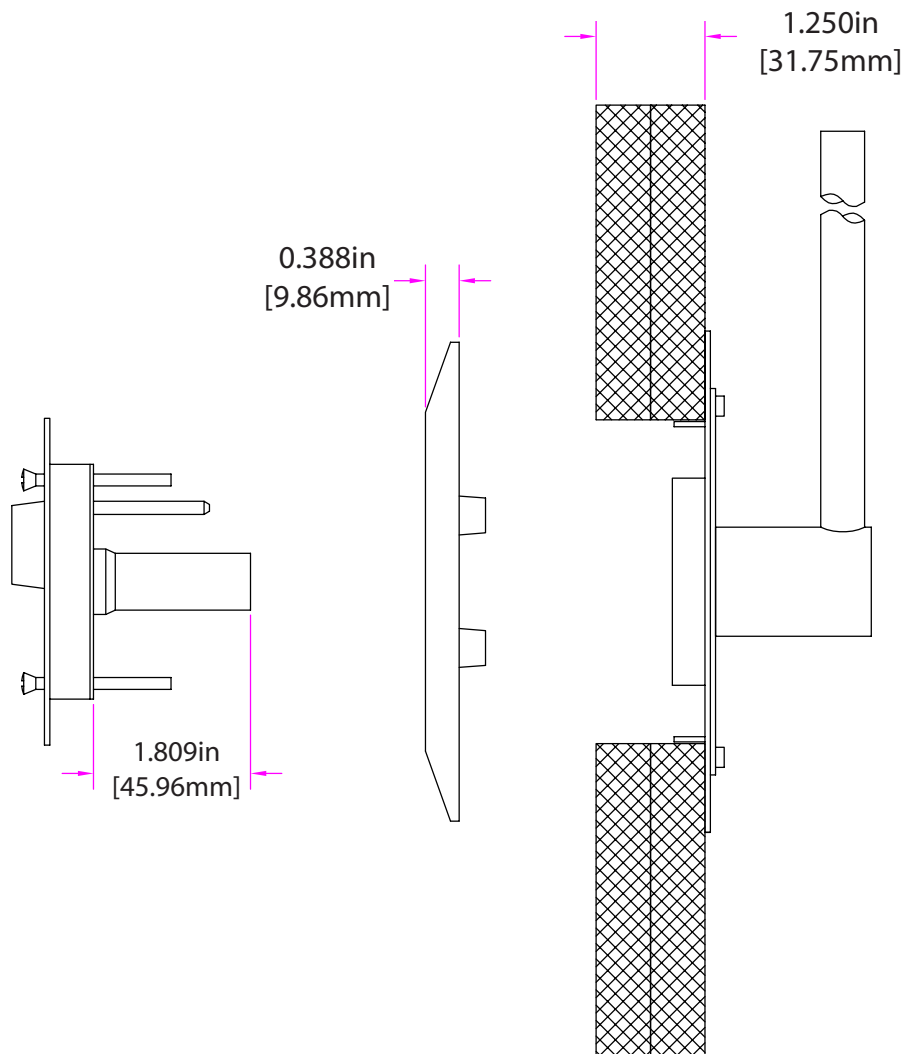
---



---



---



## model numbers

### O-FASE-CH-L-XXX

The L defines the Language:

- U = English (NFPA) Oxy, Air, Vac & WAG
- E = English (CSA/ISO)
- S = Spanish (NFPA)

The XXX defines the Gas:

- Oxygen = OXY
- Medical Air = AIR
- Carbon Dioxide = CO2
- Nitrous Oxide = N2O
- MedVac = VAC
- Waste Anesthetic Gas Disposal (NFPA) = WAG
- Anesthetic Gas Scavenging System (CSA) = AGS

represented by: